

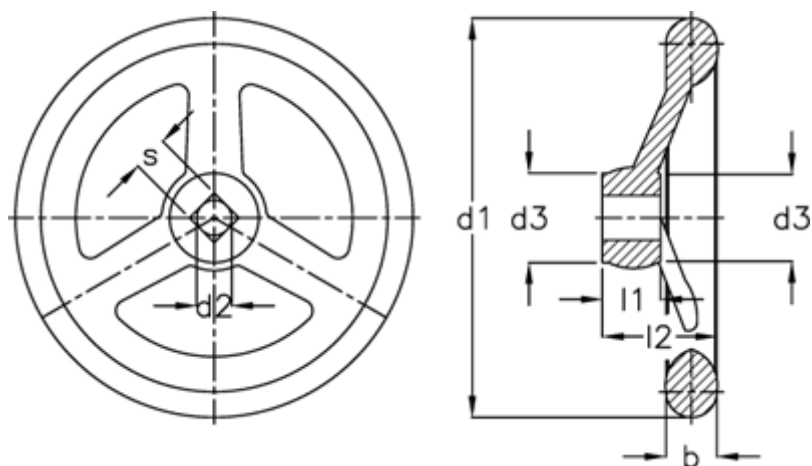
Data Sheet



Article number: 20304351

Description: E+G Handwheel
DIN 950-AL-315-K30-A

Measures



| | |
|------------------|-------|
| b | = 28 |
| d1 | = 315 |
| d2 H7 | = 30 |
| d3 | = 53 |
| l1 | = 33 |
| l2 | = 56 |
| Number of spokes | = 5 |